

Building amplifier

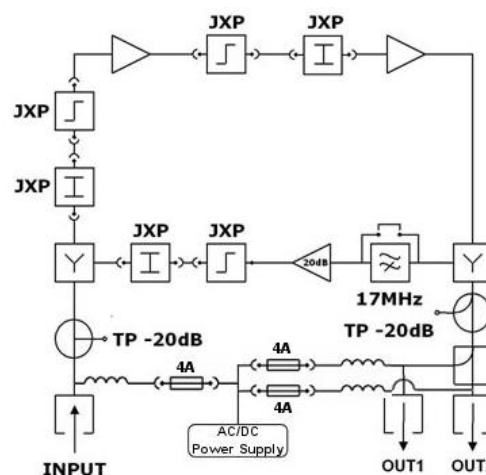
WXO-919NG



The **WXO-919NG** amplifier is designed for professional multimedia CATV networks which make an intensive use of the return path transmission, especially those with an HFC architecture. In such networks, WXO amplifiers perform the function of final amplifiers. WXO gives the performance of Line Extender Amplifier with reliability of Trunk device.

GaAs hybrid circuit applied in **WXO-919NG** guarantees high quality of signal parameters – high output level with very low inter-modulation distortions. GaAs technology enables reduction of power consumption which has an influence on CATV network maintenance costs.

WXO-919NG Block diagram



- High output level: $2 \times 119\text{dBuV}$
- Two outputs
- Easy configuration –universal JXP plug-in modules
- Active return path
- Input / Output double overvoltage protection
- Remote power supply (from input)
- Ingress filter (17 MHz)
- Robust, shock resistant metal housing

TECHNICAL PARAMETERS

Forward path		WXO-919NG
Frequency range	MHz	87...1006
Gain	dB	2 x 33±1
Gain characteristics flatness	dB	± 1,0
Max. output level – DIN 45004B	dBuV	119
Max. output level CENELEC (42 channels) interstage equalization 9 dB		
- CTB ≤ 60dBc	dBuV	2 * 104
- CSO ≤ 60dBc	dBuV	2 * 104
Input attenuator	dB	JXP plug-in 0...20
Input equalizer	dB	JXP plug-in 0...20
Inter-stage equalizer	dB	JXP plug-in 0...15
Inter-stage attenuator	dB	JXP plug-in 0...10
Input, Output Test Point	dB	-20
Noise factor	dB	< 7,5
Return loss at all Inputs / Outputs:		
- In the frequency range of 5...40 MHz	dB	18
- In the frequency range of 40...1000 MHz	dB	18 @ 40MHz – 1,5 / oct.
Return path		
Frequency range	MHz	5...65
Gain	dB	25
Gain characteristics flatness	dB	± 1
Max. output level - DIN 45004B	dBuV	116
Output attenuator	dB	plug-in JXP 0...20
Output equaliser	dB	plug-in JXP 0...10
Noise factor	dB	< 6
Others		
Operating voltage - Remote	V AC / Hz	24...90 / 50...60
Current consumption for supply voltage 28V / 65V AC (active return path)	A	0,37/0,19
Power consumption	W	<9,0
Input connector "standard"		5/8 (PG11)
Protection class	/	IP64
Operational temperature range	°C	-20...+ 60
Weight	kg	1,0
Dimension (W x H x D)	mm	196 x 134 x 86

Technical parameters may be changed without earlier notice

www.telmor.pl