

Distribution amplifiers

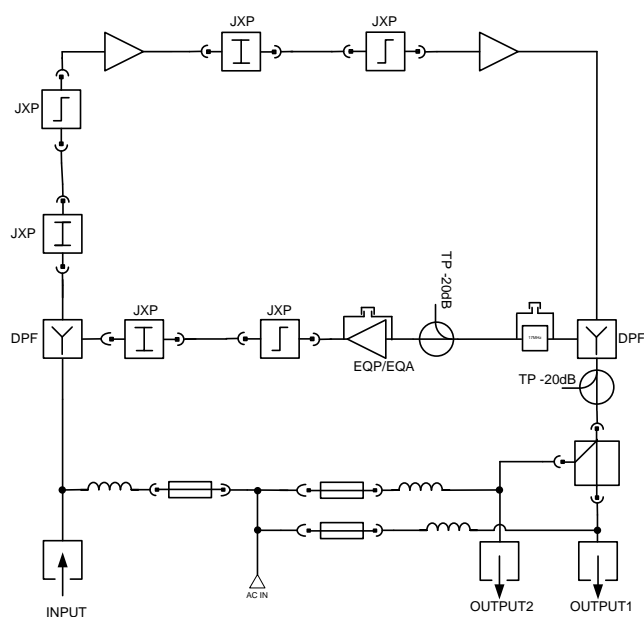
WHO-929NG



Series of **WHO-929NG** amplifier has been designed for professional multimedia cable TV networks which uses transmission in reverse path. Depending on output level there are two variants of amplifier. Usage of replaceable configuration modules allows wide choice of settings, according requirements.

Basic variant of amplifier is not equipped with any configuration modules – they have to be ordered separately.

- GaAs hybrid Power Doubler output stage.
- High output level – 129dBuV
- Easy configuration - universal JXP plug-in modules.
- Active or passive return path.
- Input / Output double overvoltage protection.
- Remote power supply transferable to any output.
- Robust, shock resistant metal housing.



TECHNICAL SPECIFICATION

FORWARD PATH		WHO-929NG
Frequency range	MHz	85-1006
Gain	dB	39
Gain characteristic flatness	dB	±0,75
Max. output level: (DIN 45004B)	dBuV	129
Max. output level: - CTB @ 60dB for CENELEC (42 channels) with an interstage equalization ±6dB	dBuV	114
- CSO @ 60dB for CENELEC (42 channels) with an interstage equalization ±6dB	dBuV	114
Input attenuator	dB	plug-in JXP 0..20
Input equalizer	dB	plug-in JXP 0..20
Interstage attenuator	dB	plug-in JXP 0..10
Interstage equalizer		plug-in JXP 0..12
Input Output Test Point	dB	-20
Noise factor	dB	< 6,5
Return loss at all Inputs / Outputs: - in the frequency range of 5 ÷ 40MHz	dB	20
- in the frequency range of 40 ÷ 1000MHz	dB	18 @ 40MHz -1,5dB / oct.
RETURN PATH		
Frequency range	MHz	5-65
Gain – measured at amplifier IN / OUT	dB	-2,5 / 25
Gain characteristic flatness	dB	±1
Max. output level - DIN 45004B	dBuV	118
Output attenuator	dB	plug-in JXP 0..20
Output equalizer	dB	plug-in JXP 0..20
Input Test Signal	dB	-20
Type	/	Active or passive
Noise factor (max.)	dB	6,0
OTHERS		
Operating voltage	V AC / Hz	30..90 / 50-60 (sinusoid or trapezoid)
Power consumption (passive return path)	W	14
Power supply method	/	Remote from any Input / Output
Current consumption at 30V AC / 90V AC	A	0,8 5 / 0,25
Transfer of current from Input / Output	A	7
Input connector (standard)	/	PG11
Output connector (standard)	/	PG11
Protection class	/	IP64
Operational temperature range	°C	-20...+60
Weight	kg	1,4
Dimension (W x H x D)	mm	196 x 134 x 84

Technical parameters may be changed without earlier notice

www.telmor.pl