



Optical receiver • FDR105

Technical Specification

I. Overview

It is designed with small-size aluminum-casting enclosing and compact inner circuit structure. Low-noise and high-sensibility PIN optical detector, AsGa amplification chip and push-pull amplification module are adopted, and it is mainly applied to FTTH.

II. Function Features

- (1) Equalizing and attenuation are connectively adjustable, easy for user debugging;
- (2) Tri-color optical power indication light (Red: Low; Green: Normal; Orange: High);
- (3) 1V/1mW optical test port;
- (4) -20dB RF output test port;
- (5) Anti-surge and anti-thunder protect circuit.

III. Principle Block Diagram

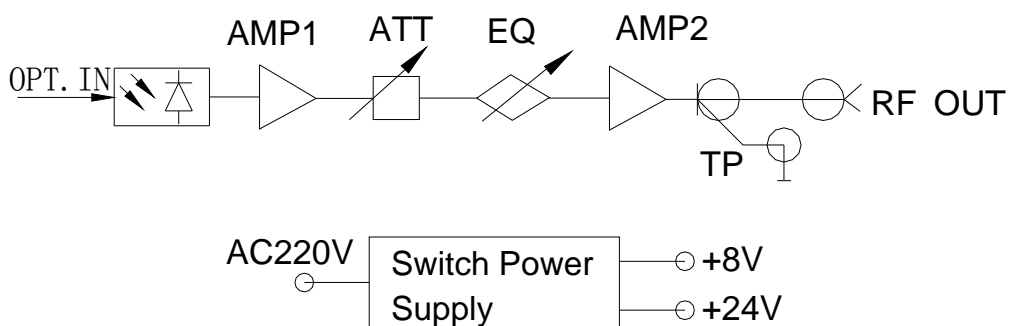


Fig.1 Optical Receiver Principle Block Diagram



IV. Technical Parameters

Item	Unit	Parameters	Remark
Down Stream Optical Receiving Performance			
Optical Receiving Wavelength	nm	1290~1580	
Optical Receiving Power Range	dBm	-7~+1	
Frequency Bandwidth	MHz	47~862	
Optical Link Frequency Response	dB	±1.5	
Return Loss	dB	≥14	
Level of Test Port	dB	-20	
Output Level	dBμV	105@-1dBm	
C/N	dB	50	Test Condition: Connected with 1310 optical transmitter, -1dBm optical receiving, 59-way PAL-D signal input, 10dB equalizing added;
C/CSO	dB	≥63	
C/CTB	dB	≥65	
Adjustable Equalizing	dB	20	
Adjustable Attenuation	dB	20	
Others			
Fiber Connector Type		SC/APC	FC/APC Optional
Power Voltage	V	AC100-240	
Power Consumption	W	12	
Dimensions	mm	70x80x180	
Weight	kg	0.85	