

## Features

- 216 Watts
- Two models available:
  - Alphanumeric display (D version)
  - Status LEDs (N version)
- Input voltage -36 to -76 VDC
- Over temperature protection
- Hot swappable load sharing functionality
- Occupies two full-depth slots
- Supports setup, monitoring, and control of chassis-resident active modules via SNMP serial port
- Monitors and detects chassis platform alarms
- PS3048D version enables local monitoring and control without additional hardware

## -48 VDC Power Supply



The model PS3048 is a high performance, 216 Watt power supply and controller for the model CH3000 chassis. The PS3048 accepts a nominal DC input voltage from -36 volts to -76 volts and outputs 12 volts DC to the power bus of the CH3000 mid-plane. Features include hot swap capability, load sharing for redundant operation, overvoltage, short circuit protection, and over temperature protection.

The PS3048 is available in two configurations, the model PS3048D with alphanumeric display and the model PS3048N without display. The PS3048 dual-width module occupies two full-depth chassis slots and ships with a model BP-P2 dynamic back plate.

The PS3048 functions as the chassis controller and permits the network operator to set alarm parameters for key functions of all active modules, to read status of these key functions and to query alarms. On the model PS3048D these functions are accomplished with a front panel alphanumeric display and control switch or via a serial communications (craft) port. On the model PS3048N, which includes alarm LEDs, these functions are performed via a front panel serial communications (craft) port.

To simplify installation, setup and maintenance of Aurora Networks' CH3000 chassis, auto discovery of installation or removal of all active modules is performed by the PS3048.

# PS3048

## Product Specifications

### Physical:

- Dimensions:  
13.0" D x 4.3" H x 2.0" W (3RU) (33 cm x 11 cm x 5 cm)  
(two full-depth chassis slots)
- Weight:  
PS3048N 3.0 lbs (1.4 kg)  
PS3048D 3.2 lbs (1.4 kg)
- Space allocation:  
Width: Occupies 2 of 16 slots in 3RU CH3000 Chassis  
Depth: 13.00" (full depth)

### Environmental:

- Operating temperature range:  $-20^{\circ}$  to  $+65^{\circ}\text{C}$  ( $-4^{\circ}$  to  $149^{\circ}\text{F}$ )
- Storage temperature range:  $-40^{\circ}$  to  $+85^{\circ}\text{C}$  ( $-40^{\circ}$  to  $185^{\circ}\text{F}$ )
- Humidity: 5% to 95% non-condensing

### Electrical:

- Input:  
 $-48\text{ V}_{\text{DC}}$  (from  $-36$  to  $-76\text{ V}_{\text{DC}}$ )  
Over-current protection: 16A fuse
- Output:  
Nominal voltage:  $12.0\text{ V}_{\text{DC}}$   
Max power: 216 W
- Efficiency:  
Max load:  $> 80\%$   
50% load:  $> 75\%$
- Load sharing accuracy:  $\pm 5\%$

### General:

- Hot swappable
- Over temperature shutdown protection
- Front panel RS-232 craft port

### Indicator LEDs on model PS3048N:

#### Status LEDs:

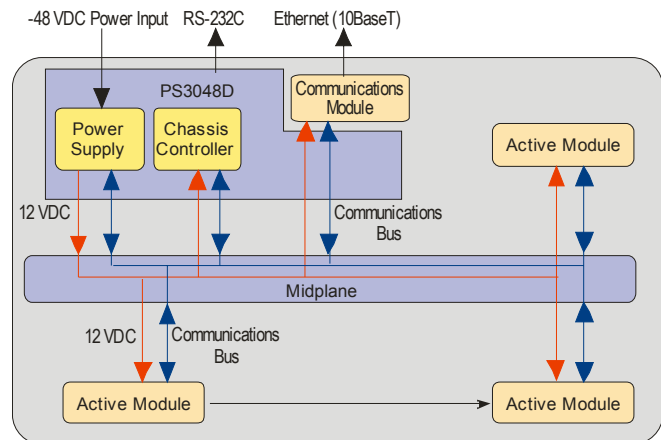
- Green = OK
- Yellow = Non-service-affecting alarm
- Red = Service-affecting alarm

#### Access Indicator LED:

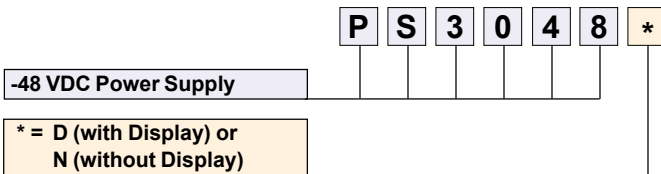
- Blue = Lit during communication with chassis modules

#### Back-Up P/S Indicator LED:

- Green = Lit if back-up power is present within the chassis (either another PS3000 series power supply or an external 12 VDC source connected to a CX3002 Communications Module which has been installed in the rear of a power supply)



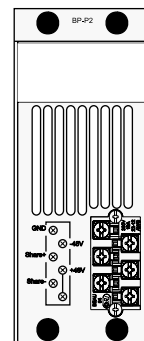
## Ordering Information



### Required Module Back Plate

B P - P 2

Back Plate is included with ordered module.



### Corporate Headquarters

5400 Betsy Ross Drive  
Santa Clara, CA 95054  
Tel 408.235.7000  
Fax 408.845.9045